

Iside

ADJUSTABLE HEIGHT



STRETCHER



Frequent usage

Emergency room
Patient transport

TECHNOLOGY & FUNCTIONALITY

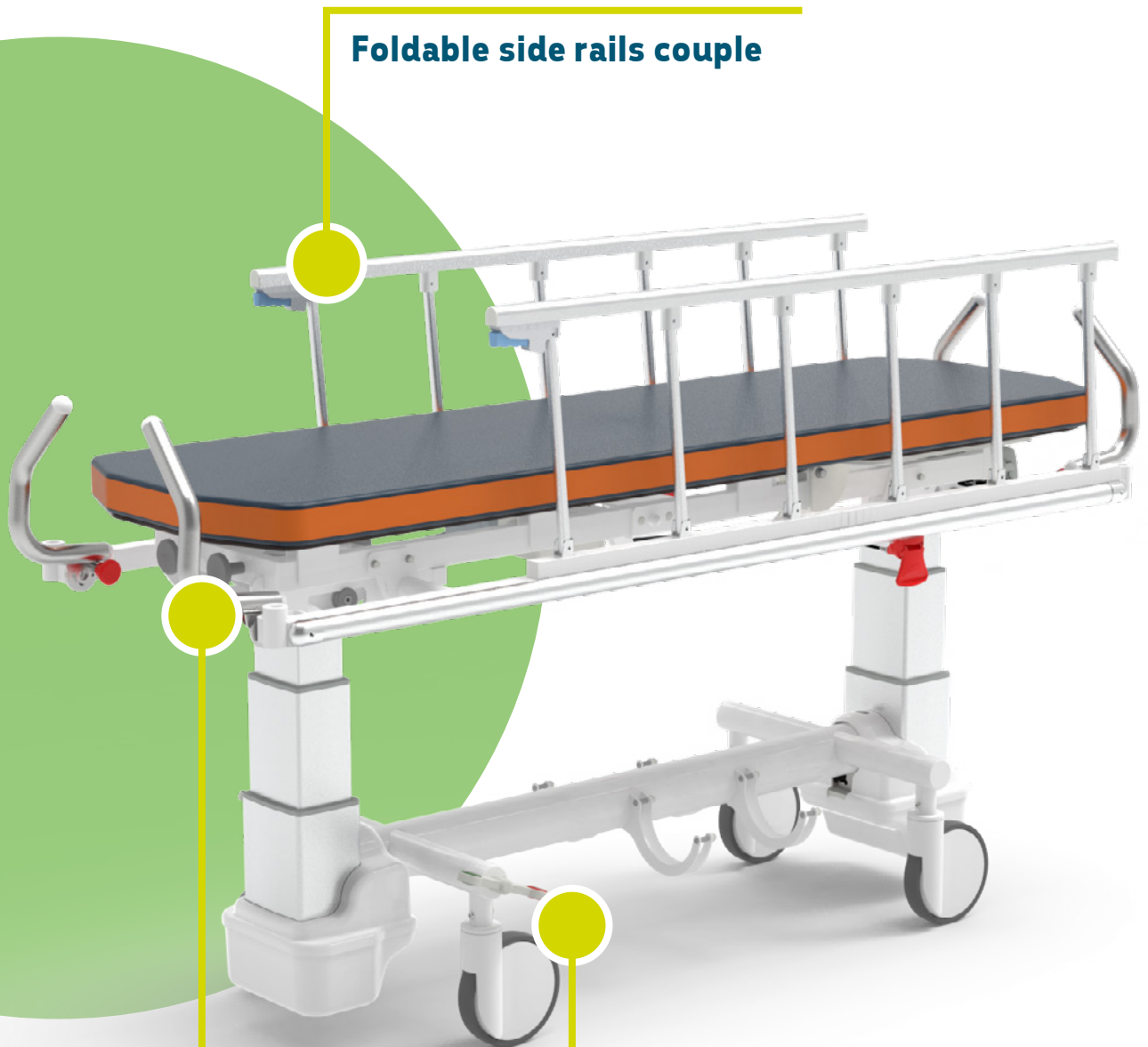
multifunctional device
for specialist activities



www.gardhenbalance.it



standard features



Foldable side rails couple

Folding carrying handles
positioned both on the foot and head side

Simultaneous brake
activated through bilateral pedal and directional system





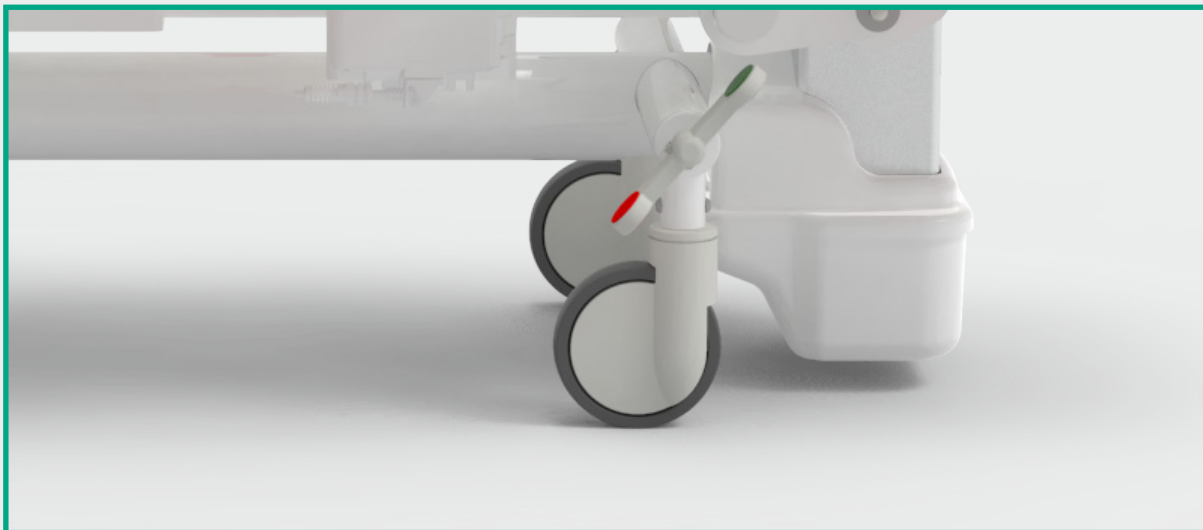
Standard features

- Anti-tilt and non deformable frame coated in thermosetting and antibacterial powders
- 2 sections patient surface in HPL.
- Motorized adjustable height 400 mm
- Servomechanized backrest that can be adjusted through a gas spring. Electric version available upon request (see aivalable accessories).
- Motorized Trendelenburg and reverse Trendelenburg through telescopic column with rectangular section.
- Foldable side rails couple - Equipment code ACB3.
- CPR control lever for backrest handling
- Nr. 4 antistatic stainless swivable wheels \varnothing 200 mm - Equipment code ACB14- with simultaneous brake activated though bilateral pedal and directional system - Equipment code AC7L2G.
- Nr. 4 folding carrying handles positioned both on the foot and head side for optimal grip during transport - Part No. ACB124.
- Nr. 4 buttons handset for the activation of the motors. Pedal controls also available upon request (see aivalable accessories).
- Lateral bumper bars.
- High density expanded foam mattress.
- Removable mattress height 80 mm (aivalable 100 mm height upon request).
- Upholstery: with anti-bacterial properties, flame retardant class 11M, antimicrobial, ecologic, latex free, phtalate free. Resistant to: alchool, sodium hypochlorite max 5%, a wide range of common used detrgent, liquid and other biological fluids. - Equipment code AC87/1.
- Cable support - Equipment code AC50L.
- Oxygen tank holder - Equipment code ACB10.
- No. 4 inserts for IV pole - Equipment code AC4LS.
- Powered through 4,5 A interchangeable battery (n°2 as standard equipment) with charger included.



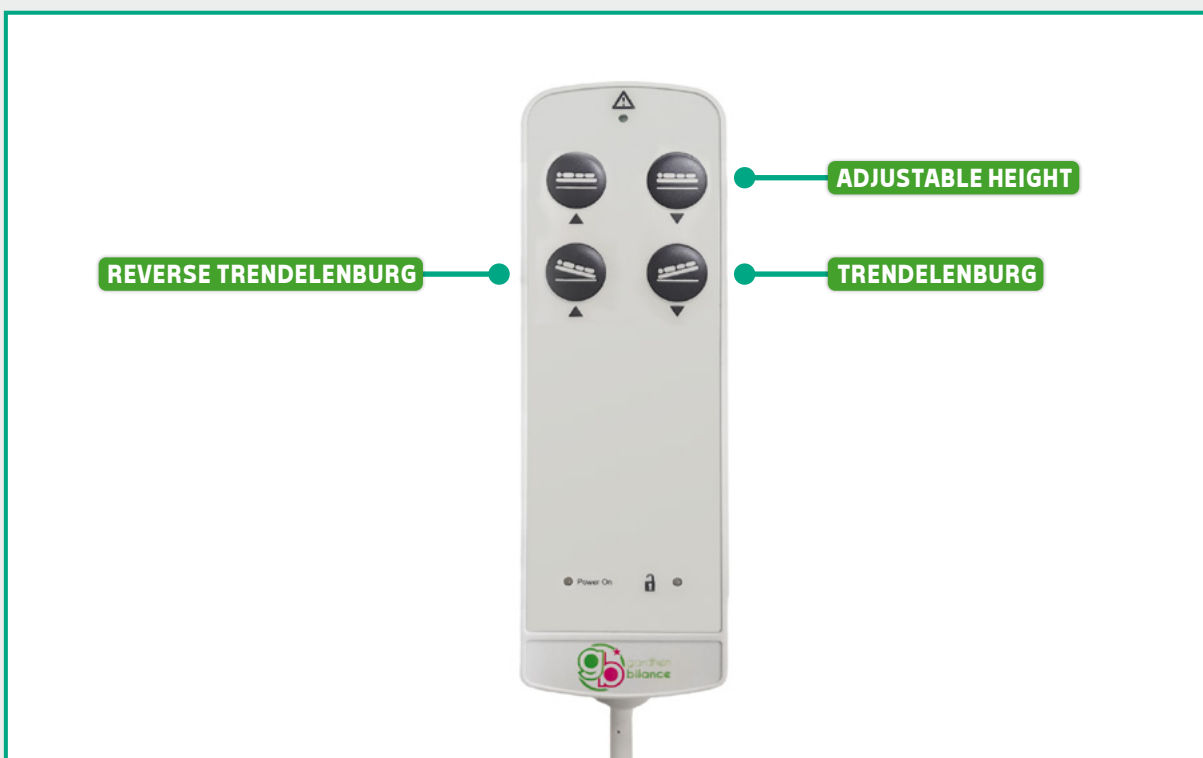
Braking system

Centralized directional braking system made out in galvanized steel, it can be activated through bilateral pedals - Equipment code AC7L2G.



4 buttons handset

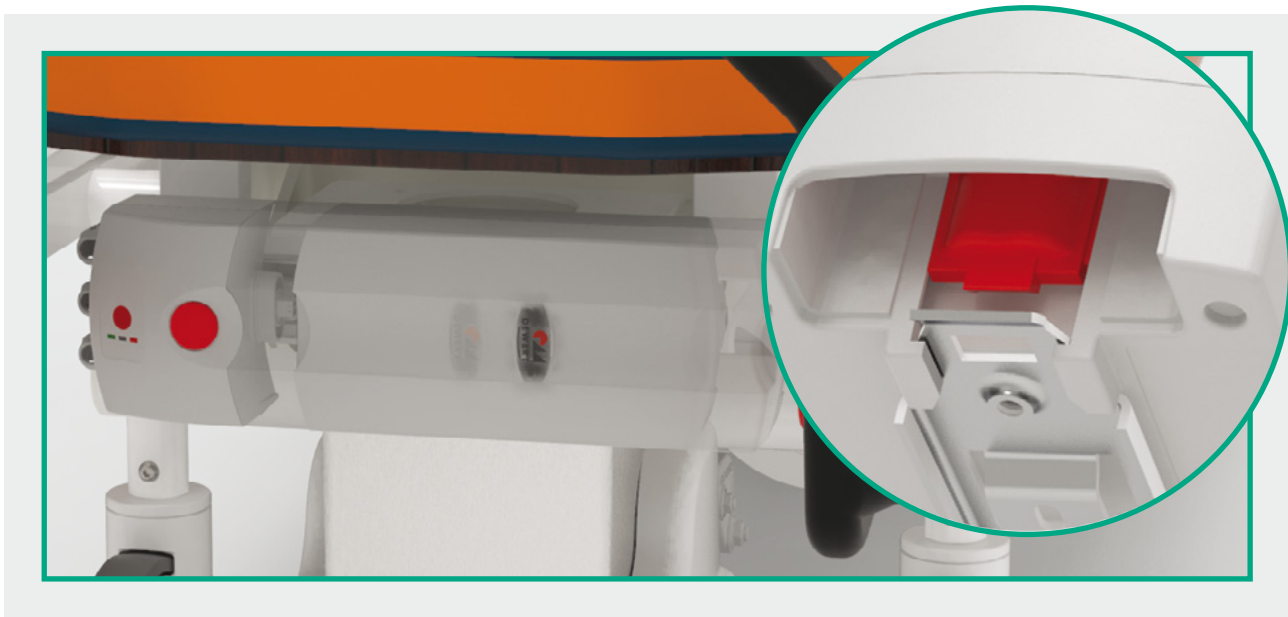
Couch's movements are controlled by a handset with a 3,5mtl coiled cable; For patient's safety purpose the handset is provided with an inhibition key, code AC34L. The handset is user friendly and has visual pictograms useful for partially sighted person. Insulation IP66.





Exchangeable batteries with quick coupling

The batteries are quickly interchangeable thanks to a quick coupling. Very useful in those moments when the battery is discharged while the stretcher is employed in medical procedure.



Batteries with table top charger

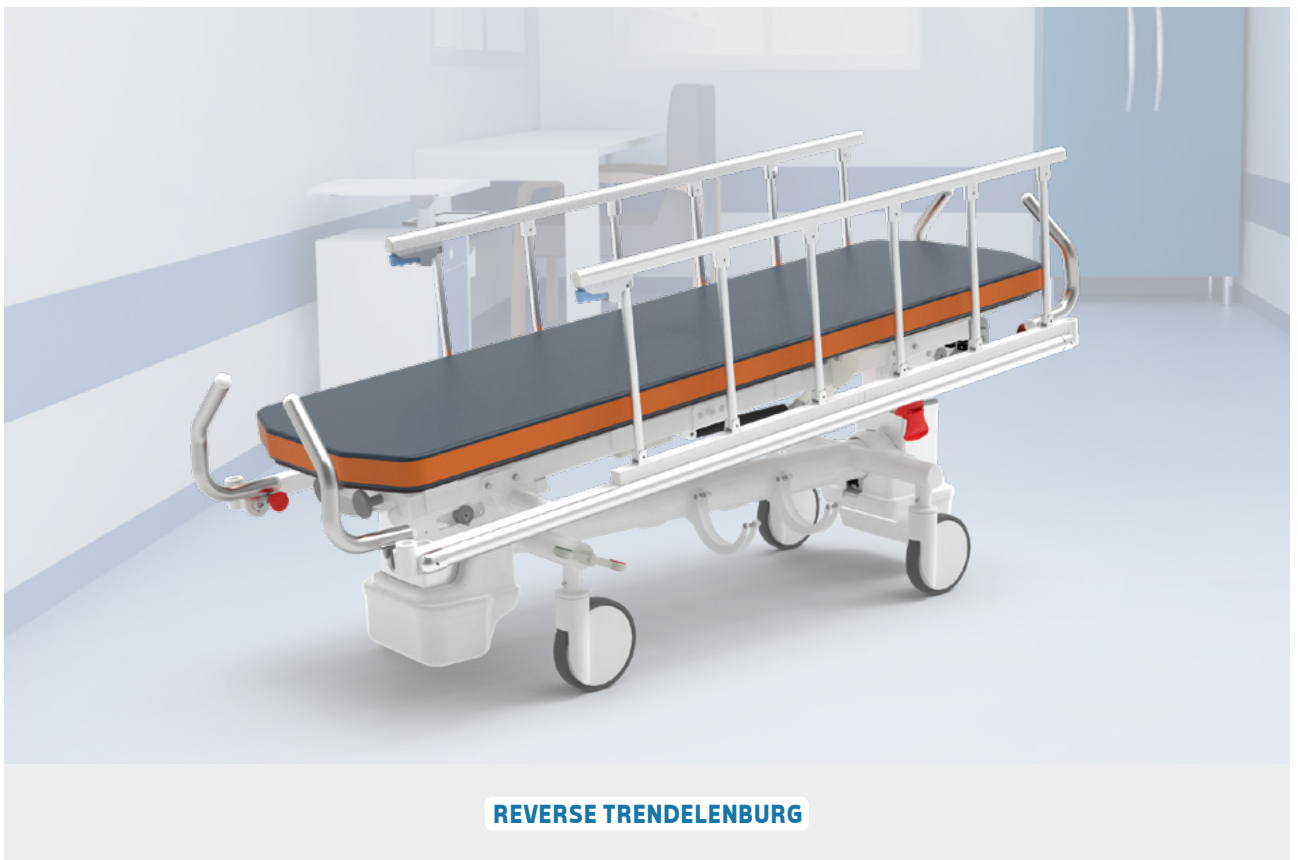
2 4.5 A batteries with convenient board charger. Equipment code AC17P/A.



Movements



TRENDELENBURG



REVERSE TRENDELENBURG

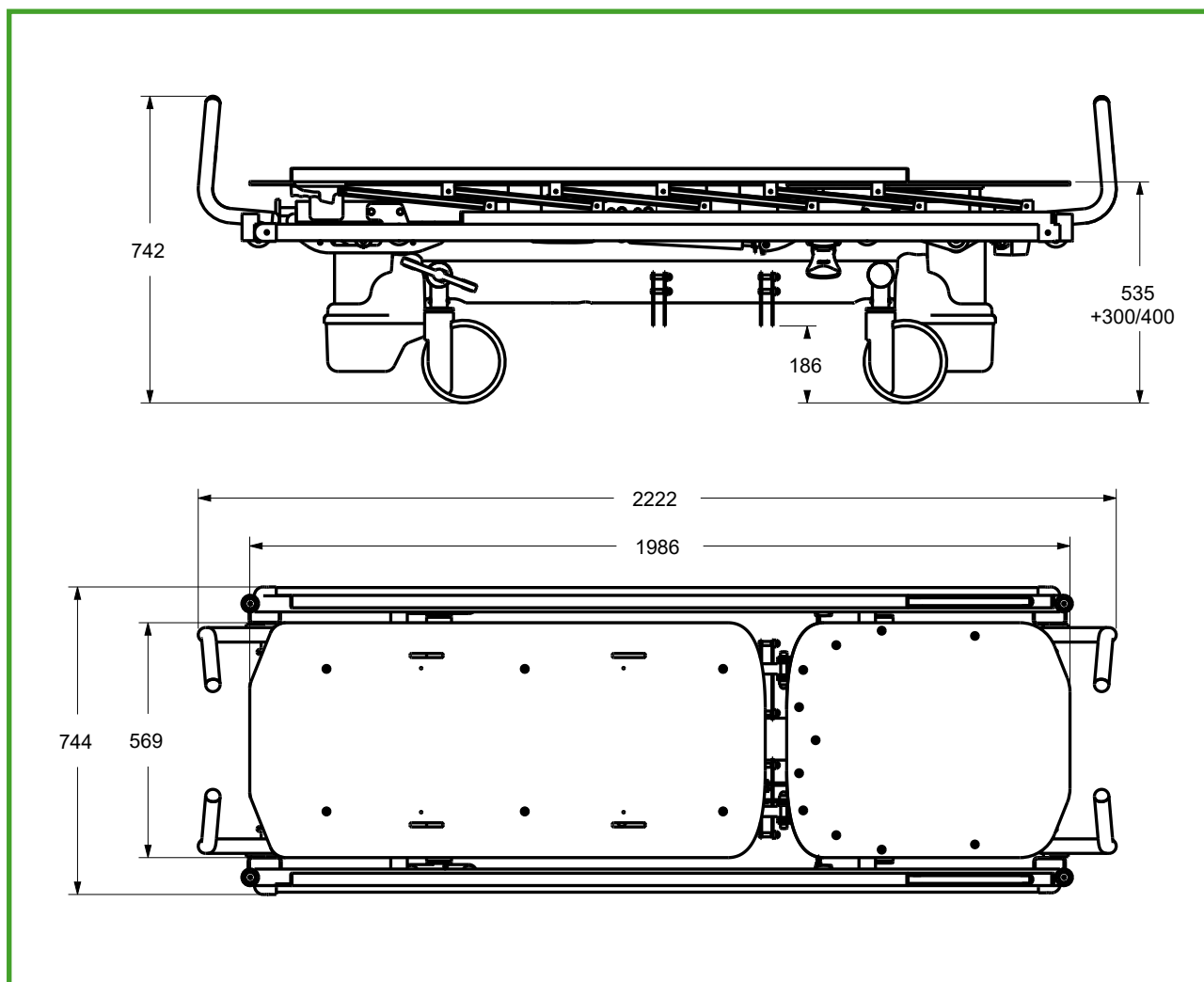


Movements





Dimensions



Would you like to customize upholstery or frame?

Scan or click the QR code and discover how to customize the device consulting our colour chart.



Do you want to implement the device?

Frame the QR code and discover all the available accessories by consulting the catalogue.





Technical sheet

CND/EMDN Code	V08050101
GMDN	40536
N. progressive/R	2443026/R
UDI-DI di Base	805771740BARLEH
ID Code	GB0151.SP Painted steel GB0151.SP/300 Painted steel GB0151.SP/400 Painted steel
Intended use	Stretcher for patients transport
Manufacturer	GARDHEN BILANCE SRL
Overall weight	140 kg
Controls	Handset with inhibiton key
Battery	10 cycles of autonomy
Power	Multivoltage 100-240 Vac 50/60 Hz
Cord	Schuko or other upon request
Wheels	No. 4 wheels Ø 200 mm with directional braking system
Electric motors	Low voltage (24 V)
Max electrical input	460 VA
Insulation	IP44
Max load	Standard 200 kg / Bariatric 300 kg
Safety working load	Standard 235 kg / Bariatric 335 kg

Main cord



Type F
Schuko



Type L
16A



Type I
Australia



Type B
Canada and USA



Type G
UK plug

Pictures contained in this brochure is for illustrative purpose only. The manufacturer reserves the right to modify the projects without notice. For accessories identification please refer to the accessory catalogue or commercial offer. When data are different please refer to commercial offer.

Dep. EN_98 rev. 18/04/2024